

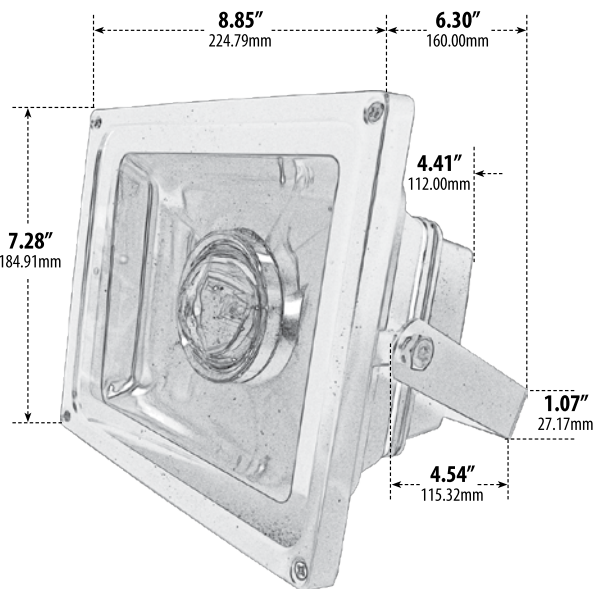
DF5961-LB30-50K

LED FLOOD LIGHT



- ▶ **Material:** Powder Coated Cast Aluminum
- ▶ **Lens:** Clear, Heat Resistant, Tempered Glass
- ▶ **Lamp:** Led Chip
- ▶ **Lamp Color:** White
- ▶ **Color Temperature:** 5000K
- ▶ **Lumens:** 3220Lm

Model Number	Illuminant Type	Base Type	Wattage (W)	Volatage (V)	Color Temp.	Lamp(s) Included
DF5961-LB30-50K	LED	LED Board	30W	120V-277V	50K	Yes



- ▶ **Adjustable U-Shaped Bracket**
- ▶ **Available Color:** Black, Verde Green
- ▶ **ETL Approval Pending**

Overall Dimensions:
7.28"H x 8.85"W x 6.30"D

Weight: 4.00 lbs
Approximate Wire Length: N/A
Box Dimensions:
7.75"H x 9.13"W x 5.00"D

DABMAR
LIGHTING

DABMAR LIGHTING INCORPORATED

320 Graves Ave . Oxnard, CA 93030 . 805.604.9090 . f: 805.604.9050 . www.dabmar.com
4693 19th Street Ct E . Bradenton, FL 34203