

DF5969-LB100-65K

SLIM LED FLOOD LIGHT



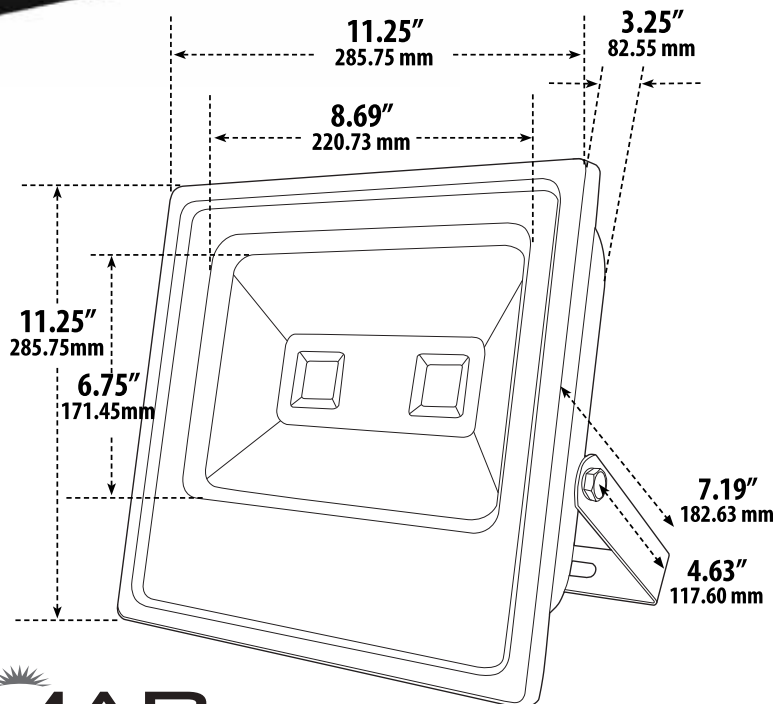
- ▶ **Material:** Powder Coated Cast Aluminum
- ▶ **Lens:** Clear, Heat Resistant, Tempered Glass
- ▶ **Lamp:** SMD LED
- ▶ **Color Temperature:** 6500K
- ▶ **Lumens:** 9000Lm

| Model Number | Illuminant Type | Base Type | Wattage (W) | Volatage (V) | Color Temp. | Lamp(s) Included |
|------------------|-----------------|-----------|-------------|--------------|-------------|------------------|
| DF5969-LB100-65K | LED | LED Board | 100W | 85V-265V | 65K | Yes |

- ▶ **Adjustable U-Shaped Bracket**
- ▶ **Available Color:** Black, Verde Green
- ▶ **ETL Approval Pending**

Overall Dimensions:
11.25"H x 11.25"W x 7.19"D

Weight: 5lbs 13oz
Approximate Wire Length: 11"
Box Dimensions:
12.00"H x 11.75"W x 4.18"D
Weight wBox: 6lbs 6oz



DABMAR
LIGHTING

DABMAR LIGHTING INCORPORATED

320 Graves Ave . Oxnard, CA 93030 . 805.604.9090 . f: 805.604.9050 . www.dabmar.com