

# DF-LED7771

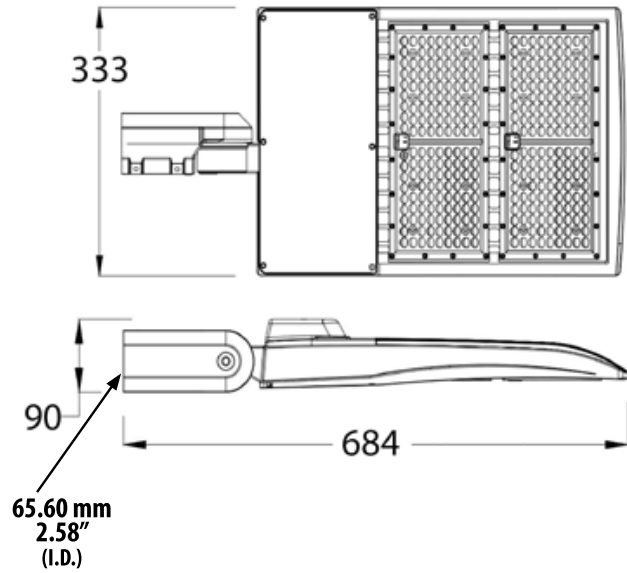
## POST TOP FIXTURE



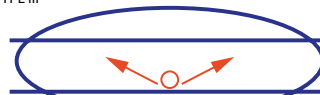
Slipfitter Included

- ▶ **Material:** Powder Coated Cast Aluminum
- ▶ **Lens:** Clear, Polycarbonate Lens
- ▶ **Available Finish:** Black, Verde Green
- ▶ **Color Temperature:** 4000K
- ▶ **Lumens:** 37,500 Lm
- ▶ **0 - 10V Dimming Standard**
- ▶ **UL Listed**

Model Number	Illuminant Type	Base Type	Wattage (W)	Volatage (V)	Color Temp.	Lamp(s) Included	Lens Type
DF7771-LB300-T3-40K-B	LED	LED Board	300W	100V-277V	40K	Yes	Type 3
DF7771-LB300-T4-40K-B	LED	LED Board	300W	100V-277V	40K	Yes	Type 4
DF7771-LB300-T5-40K-B	LED	LED Board	300W	100V-277V	40K	Yes	Type 5

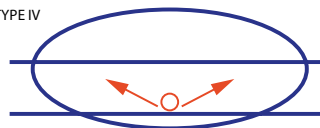


TYPE III



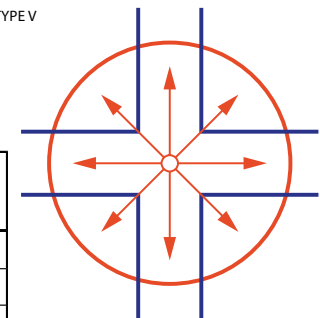
**TYPE 3 Light Distribution**

TYPE IV



**TYPE 4 Light Distribution**

TYPE V



**TYPE 5 Light Distribution**

Overall Dimensions:  
26.92"H x 13.11"W x 3.54"D

Weight: 18 lbs  
Approximate Wire Length: N/A  
Box Dimensions:

# DF-LED7771

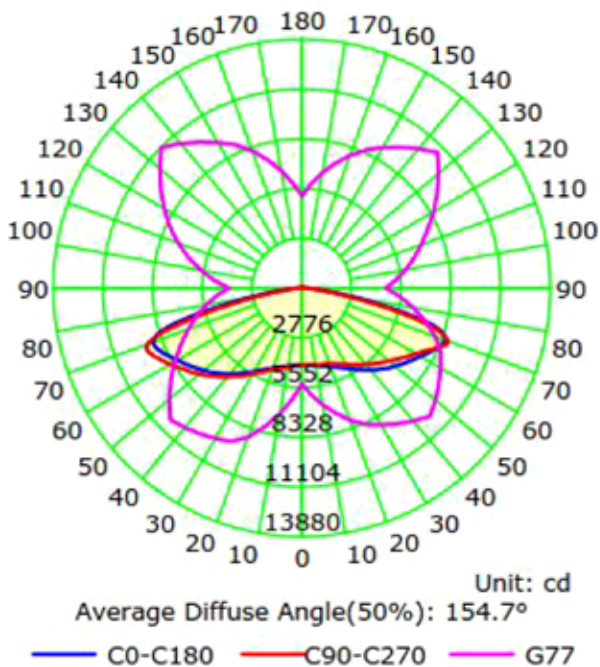


## Photometric Results

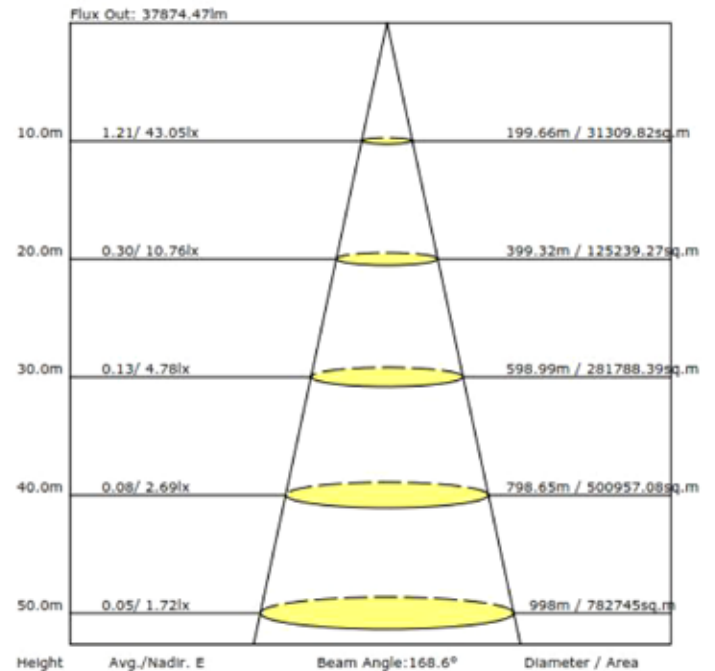
IES Classification: Type V  
 Total Rated Lamp Lumens: 38518.28 lm  
 Efficiency: 100%  
 Upward Ratio: 0%  
 Central Intensity: 4305.37 cd  
 Pos of Max. Intensity: H225 V77

Longitudinal Classification: Medium  
 Measurement Flux: 38518.28 lm  
 Downward Ratio: 100%  
 Luminaire Efficacy Rating (LER): 127.35  
 Max. Intensity: 11104.35 cd

Luminous Intensity Distribution Curve



The Average Illuminance Effective Figure



DABMAR LIGHTING INCORPORATED

320 Graves Ave . Oxnard, CA 93030 . 805.604.9090 . f: 805.604.9050 . www.dabmar.com  
 4693 19th Street Ct E . Bradenton, FL 34203