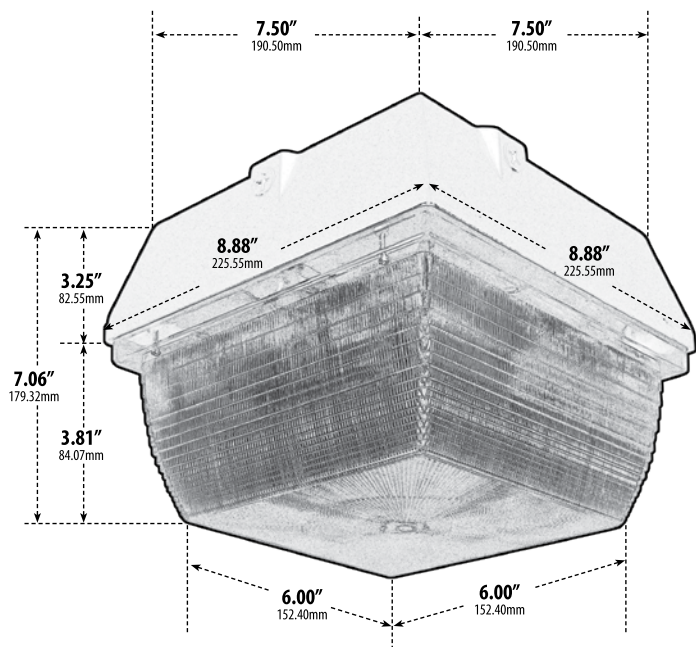


DW8800

MINI CEILING FIXTURE



- ▶ **Material:** Powder Coated Cast Aluminum
- ▶ **Lens:** Clear, Prismatic, Polycarbonate Lens
- ▶ **Available Finish:** Bronze
- ▶ **ETL Approved**

Model Number	Illuminant Type	Base Type	Wattage (W)	Volatage (V)	Color Temp.	Lamp(s) Included
DW8800	Incandescent	G24	50W	120V	N/A	No
DW8800-L20-30K	LED	G24	20W	120V	30K	Yes
DW8800-L20-50K	LED	G24	20W	120V	50K	Yes

Overall Dimensions: 8.88"W x 8.88"H x 7.06"D

Approx Wire Length: N/A

Weight: 10.2 lbs

Box Dimensions: 9.50"W x 8.00"H x 9.38"D

DABMAR
LIGHTING

DABMAR LIGHTING INCORPORATED

320 Graves Ave . Oxnard, CA 93030 . 805.604.9090 . f: 805.604.9050 . www.dabmar.com
4693 19th Street Ct E . Bradenton, FL 34203