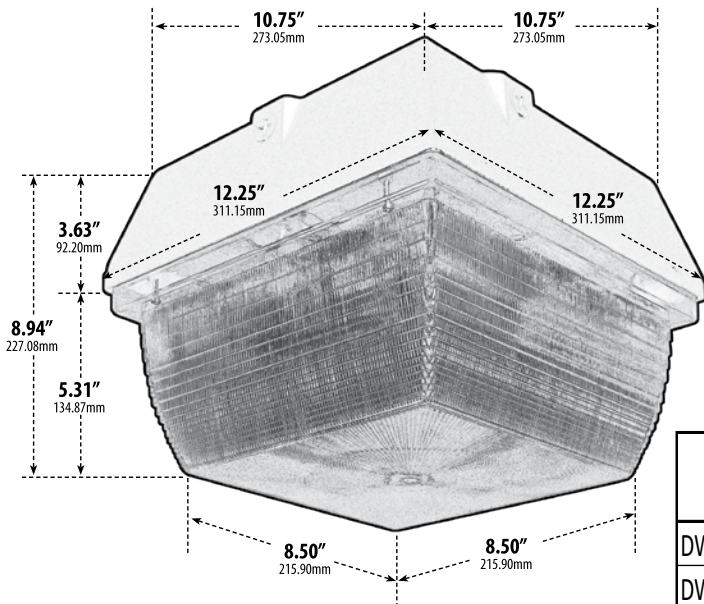


# DW8870

## MEDIUM SQUARE CEILING FIXTURE



- ▶ **Material:** Powder Coated Cast Aluminum
- ▶ **Lens:** Clear, Prismatic, Polycarbonate Lens
- ▶ **Available Finish:** Bronze
- ▶ **ETL Approved**

Model Number	Illuminant Type	Base Type	Wattage (W)	Volatage (V)	Color Temp.	Lamp(s) Included
DW8870	Incandescent	G24	50W	120V	N/A	No
DW8870-L20-30K	LED	G24	20W	120V	30K	Yes
DW8870-L20-50K	LED	G24	20W	120V	50K	Yes

Overall Dimensions:  
12.25"H x 12.25"W x 8.94"D

Weight: 5.07 lbs  
Approximate Wire Length: N/A  
Box Dimensions: 9.50"H x 12.75"W x 12.88"D

**DABMAR**  
LIGHTING

DABMAR LIGHTING INCORPORATED

320 Graves Ave . Oxnard, CA 93030 . 805.604.9090 . f: 805.604.9050 . www.dabmar.com  
4693 19th Street Ct E . Bradenton, FL 34203