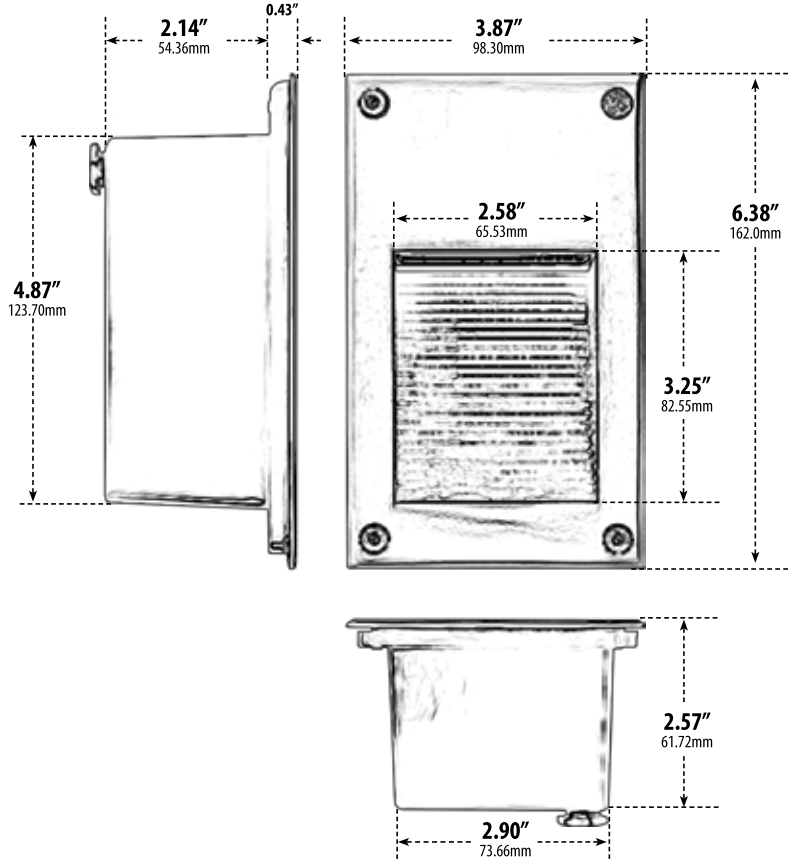


LV-LED670-SS

RECESSED BRICK, STEP AND WALL LIGHT



- ▶ **Faceplate Material:** Stainless Steel, PVC Sleeve
- ▶ **Lens:** Clear, Heat Resistant, Tempered Glass
- ▶ **Lamp:** Integral LED Circuit Board

MODEL NUMBER	LAMP TYPE	ILLUMINANT TYPE	WATTS (W)	VOLTS (V)	LAMP(S) INCLUDED?
LV-LED670-SS	LED BOARD	12 LEDs	1.5	12	YES

- ▶ **Available Finish:** Stainless Steel
- ▶ **Recessed Mount:** (Concrete)
- ▶ **Connector Available:** P-CN01 (sold separately)
- ▶ **ETL Approval Pending**

Overall Dimensions:
6.38"H x 3.87"W x 2.57"D

Weight: 1.40 lbs
Approximate Wire Length: 5"
Box Dimensions: 3.63"H x 6.75"W x 4.50"D



DABMAR LIGHTING INCORPORATED

320 Graves Ave . Oxnard, CA 93030 . 805.604.9090 . f: 805.604.9050 . www.dabmar.com
4693 19th Street Ct E . Bradenton, FL 34203