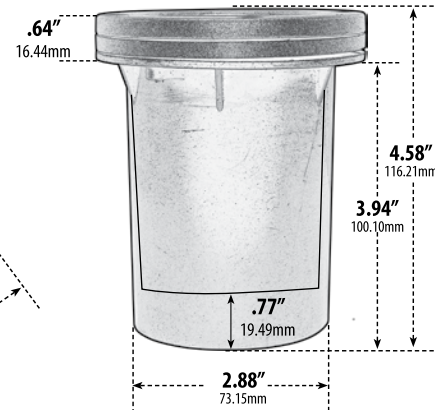
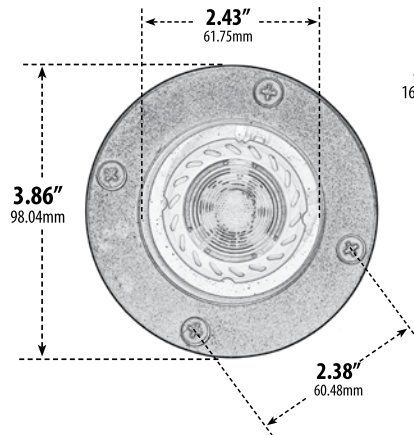
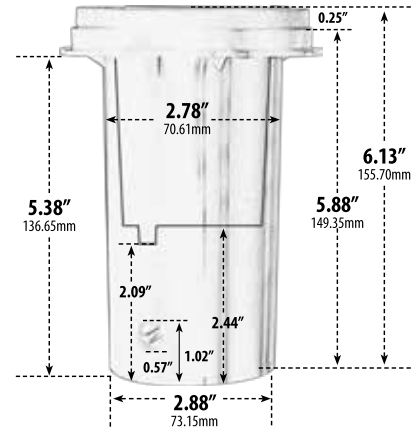
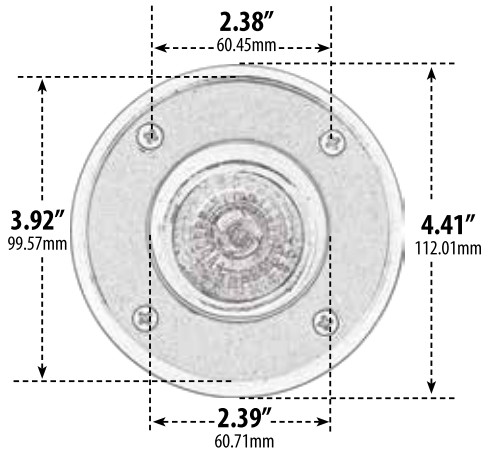


LV301-SLV

IN-GROUND WELL LIGHT



Overall Dimensions of Bronze
4.58"H x 3.86"W x 3.86"D

- ▶ **Material:** Powder Coated Cast Aluminum with PVC Sleeve
- ▶ **Lens:** Clear, Heat Resistant, Tempered Glass
- ▶ **Lamp:** MR16 Bi-Pin Base (50W Maximum)

MODEL NUMBER	LAMP TYPE	ILLUMINANT TYPE	WATTS (W)	VOLTS (V)	LAMP(S) INCLUDED?
LV301-SLV	MR16	HALOGEN	20	12	YES
LV301-LED3-SLV	MR16-LED	LED COB	3	12	YES
LV301-LED7-SLV	MR16-LED	SMD LED	7	12	YES

Pre-wired with UL Listed Direct Burial Wire/Cable

- ▶ **Installation Type:** Rated for In-Ground Soil and Concrete Applications
- ▶ **Available Finish:** Black, Bronze, Green, Verde Green
- ▶ **ETL Approved**

Overall Dimensions:
6.13"H x 4.41"W x 4.41"D

Weight: 1.0 lbs
Approximate Wire Length: 22"
Box Dimensions:
6.75"H x 4.75"W x 4.75"D



DABMAR LIGHTING INCORPORATED

2140 Eastman Ave . Oxnard, CA 93030 . 805.604.9090 . f: 805.604.9050 . www.dabmar.com