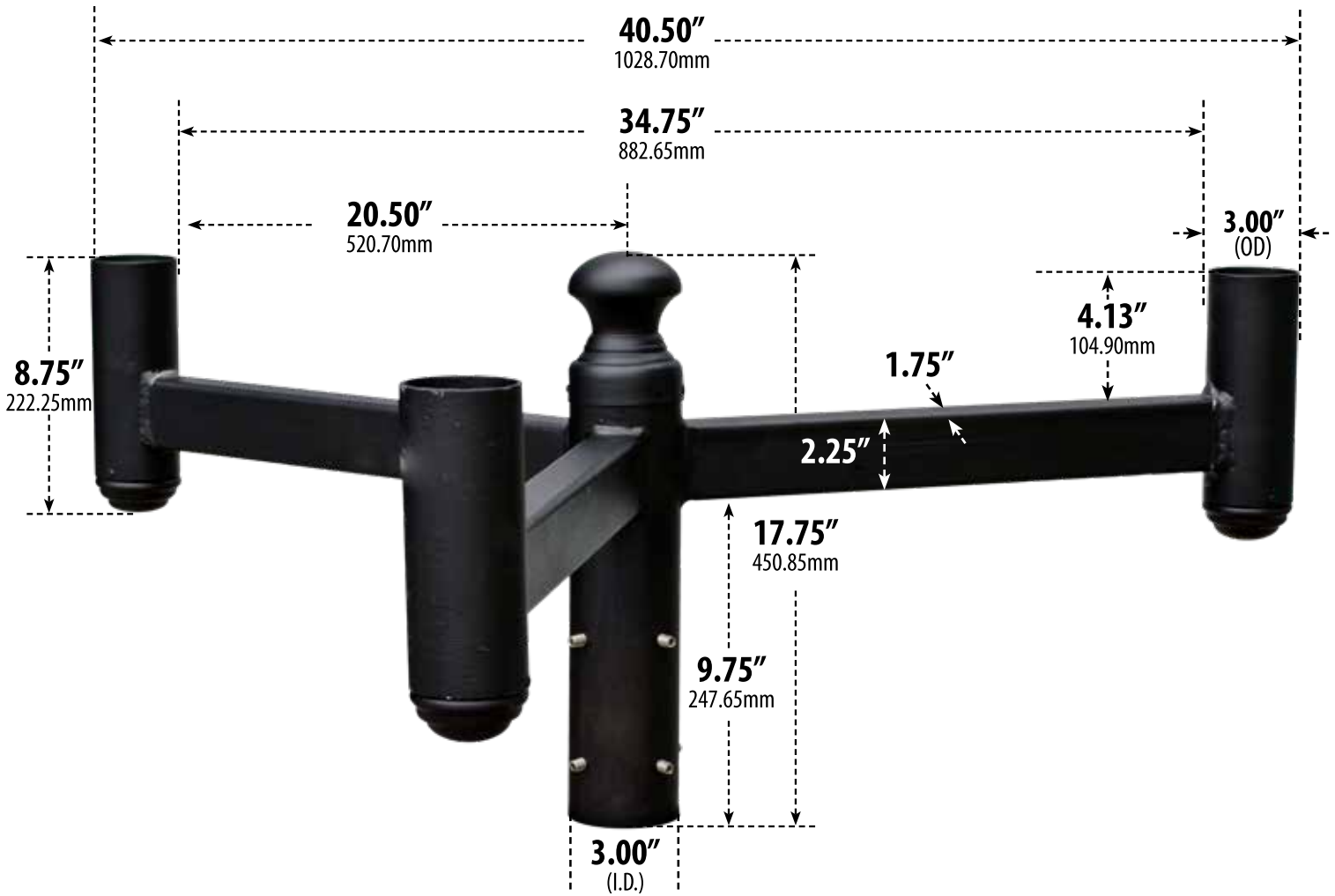


# P-ARM-GM3

## ROUND POST MOUNTED ARMS



### Designed for 3" O.D. Posts for Three (3) Post Top Fixtures

- ▶ **Designed for Post Top Fixtures**
- ▶ **Material:** Powder Coated Galvanized Steel with Welded Base
- ▶ **Available Finish:** Black, Verde Green

Overall Dimensions:  
17.75H x 40.50"W x 40.50"D

Weight: 22 lbs

P-ARM-GM3	ARM ADAPTOR FOR THREE (3) FIXTURES
-----------	------------------------------------

**DABMAR**  
LIGHTING

DABMAR LIGHTING INCORPORATED

320 Graves Ave . Oxnard, CA 93030 . 805.604.9090 . f: 805.604.9050 . www.dabmar.com  
4693 19th Street Ct E . Bradenton, FL 34203