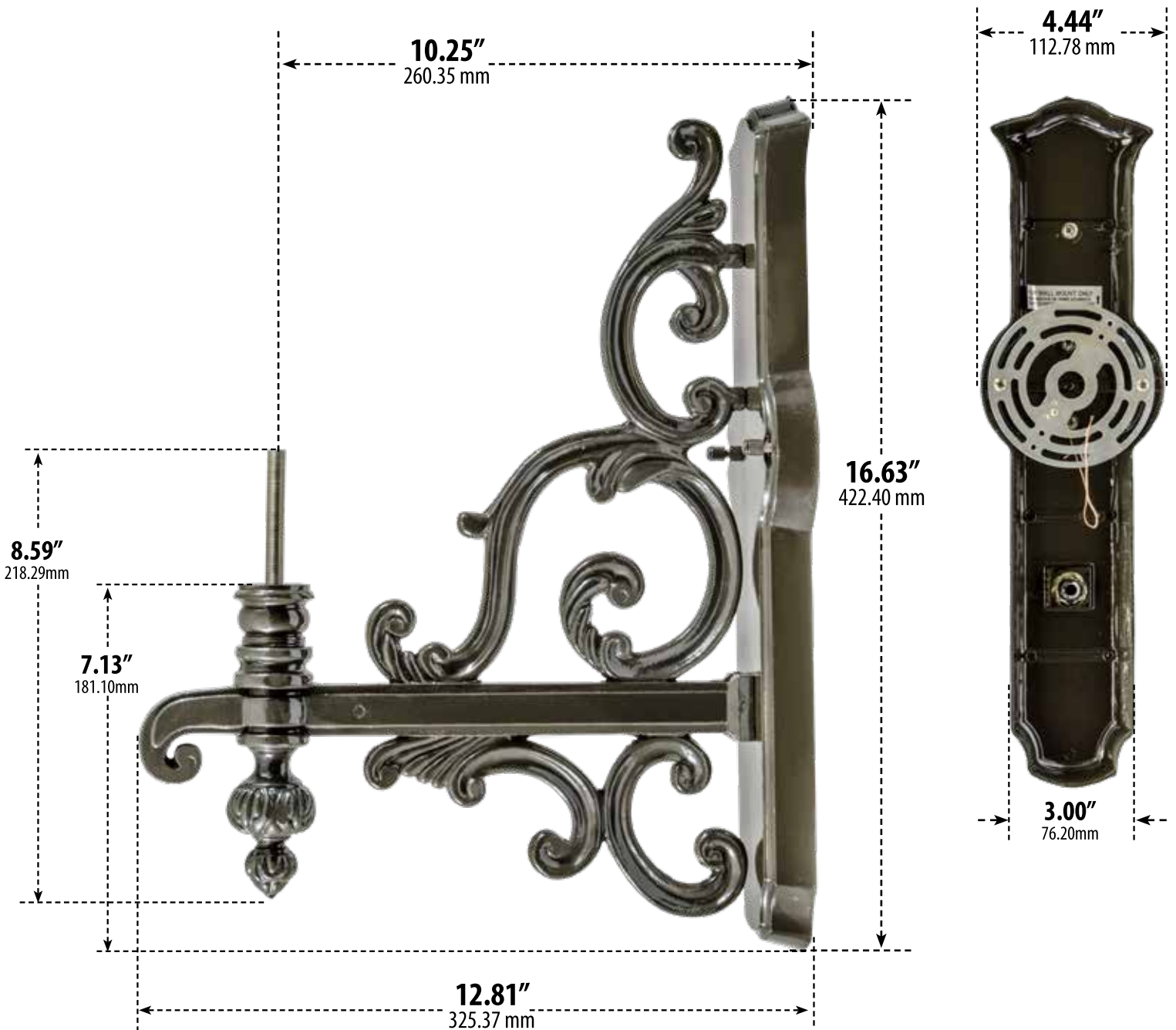


P-ARM-GM702

DECORATIVE WALL MOUNTED ARM



- ▶ **Designed for Post Top Fixtures - GM112, GM132, GM285, GM240, GM102, GM480, GM182, GM545, GM972, GM982, GM440, GM235 GM702, GM802**
- ▶ **Material:** Powder Coated Galvanized Steel
- ▶ **Available Finish:** Black, Bronze, Verde Green

OVERALL DIMENSIONS:
16.63"H x 4.44"W x 12.81"D

WEIGHT: 2.94 LBS

DABMAR
LIGHTING

DABMAR LIGHTING INCORPORATED

320 Graves Ave . Oxnard, CA 93030 . 805.604.9090 . f: 805.604.9050 . www.dabmar.com
4693 19th Street Ct E . Bradenton, FL 34203