

P-BRK-ST7525-3/L

POST TOP FIXTURE MOUNTING BRACKETS



- **Material:** Powder Coated Galvanized Steel
- **Available Finish:** Black, Verde Green

Overall Dimensions:
6.70"H x 12.00"W x 8.00"D

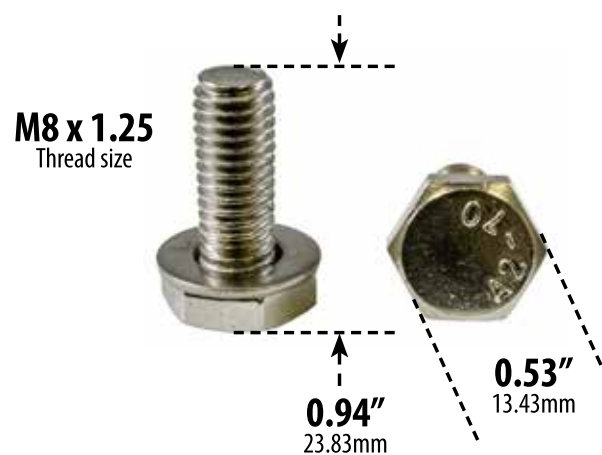
Weight: 8.6 lbs
Box Dimensions: 8.00"H x 13.00"W x 9.25"D

MODEL NUMBER	
P-BRK-ST7525-3/L	4" x 4" POST MOUNT WITH THREE (3) HORIZONTAL ARMS

DABMAR
LIGHTING

DABMAR LIGHTING INCORPORATED
320 Graves Ave . Oxnard, CA 93030 . 805.604.9090 . f: 805.604.9050 . www.dabmar.com
4693 19th Street Ct E . Bradenton, FL 34203

DRILLING SPECS FOR P-BRK-ST7525-3-L



DABMAR
LIGHTING