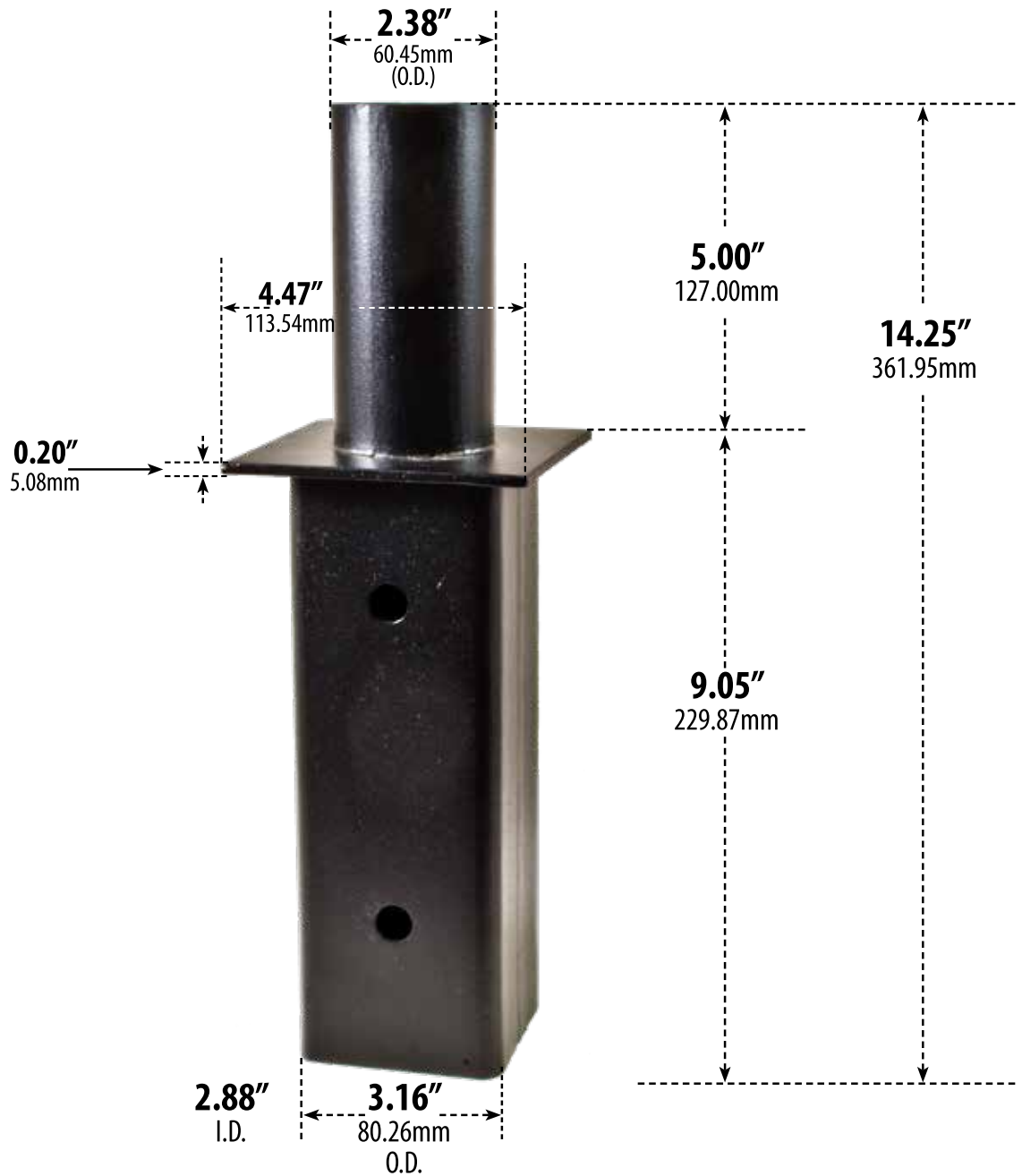


P-BRK-ST7525

SLIP-FITTER



► TENON ADAPTORS

► **Material:** Powder Coated Galvanized Steel with Welded Base

► **Available Finish:** Black, Verde Green

Overall Dimensions:

14.00 "H x 4.44"W x 4.44"D

Weight: 5.8 lbs

MODEL NUMBER	
P-BRK-ST7525	INTERNAL SQUARE POLE ADAPTER FOR PT-20-SQ

DABMAR
LIGHTING

DABMAR LIGHTING INCORPORATED

320 Graves Ave . Oxnard, CA 93030 . 805.604.9090 . f: 805.604.9050 . www.dabmar.com

4693 19th Street Ct E . Bradenton, FL 34203