

P-BRK-W7525

SLIP-FITTER

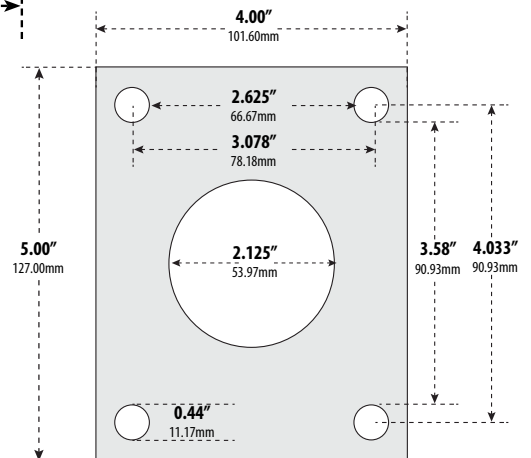


- ▶ **TENON ADAPTORS**
- ▶ **Material:** Powder Coated Galvanized Steel with Welded Base
- ▶ **Available Finish:** Black, Verde Green

MODEL NUMBER	
P-BRK-W7525	WALL OR POST MOUNT ADAPTOR

Overall Dimensions:
7.25"H x 4.00"W x 5.00"D

Weight: 2.6 lbs



DABMAR
LIGHTING

DABMAR LIGHTING INCORPORATED

320 Graves Ave . Oxnard, CA 93030 . 805.604.9090 . f: 805.604.9050 . www.dabmar.com
4693 19th Street Ct E . Bradenton, FL 34203